

# Bluetooth Deadbolt Smart Lock

Distributed by Lorex

## PRODUCT SPECIFICATIONS

Lock Type	Bluetooth deadbolt
Door Bore Hole	2-1: 8" / 54 mm or 1-1: 2" / 38 mm
Door Thickness	1-3: 8" / 35 mm to 2" / 51 mm
Adjustable Backset	2-3: 8" / 60 mm and 2-3: 4" / 70 mm
Unlock Method	Mechanical key, Entry code, Mobile app
User Entry Code	Program up to 200 sets
Mobile App	iOS and Android compatible
Mobile App Control	Monitor, grant, and revoke access
Touch Screen Back-light Color	White
Fire Rated	UL 20 minute compliant
ANSI/BHMA	Grade 2 ANSI compliant
Connectivity	Bluetooth
Power	Four AA 1.5V alkaline batteries
Operation Temperature	-31 °F to 150.8 °F / -35 °C to 66 °C
Dimension	Exterior lock body: 2.6 × 5.4 × 1" / 66 × 136 × 25 mm Interior lock body: 2.7 × 6.3 × 1.7" / 68 × 159 × 44 mm
Weight	2.84 lbs / 1.29 kg

## MODEL INFORMATION

LK100	6-95529-05284-7
LK100-SL	6-95529-05659-3

## LK100 PACKAGE DIMENSIONS

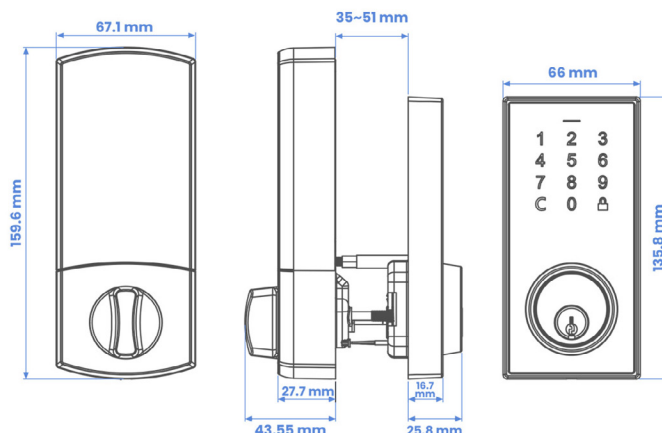
Package	White Box
Package Weight	0.494 lb / 0.224 kg
Package Dimensions (W × D × H)	7.5 × 5.4 × 5" / 190 × 137 × 127 mm
Package Cube	0.117 ft <sup>3</sup> / 0.003 m <sup>3</sup>

## LK100-SL PACKAGE DIMENSIONS

Package	Giftbox with Sleeve
Package Weight	3.09 lbs / 1.401 kg
Package Dimensions (W × D × H)	7.24 × 4.29 × 8.5" / 183 × 109 × 215 mm
Package Cube	0.152 ft <sup>3</sup> / 0.004 m <sup>3</sup>



## PRODUCT DIMENSIONS



LK100 & LK100-SL  
lorex.com

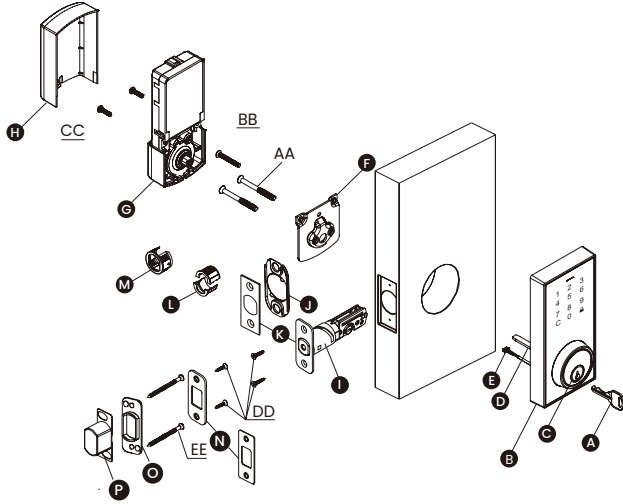
Lorex Corporation  
10440 Little Patuxent Parkway, Ste. 300,  
Columbia, MD 21044, United States

© 2023 Lorex Corporation  
As our product is subject to continuous improvement, Lorex Technology & subsidiaries reserve the right to modify product design, specifications & prices without notice and without incurring any obligation. E&OE.  
10262023-2

# Bluetooth Deadbolt Smart Lock

Distributed by Lorex

## PACKAGE CONTENTS



Part	Description	Quantity
A	Key	2
B	Exterior Assembly	1
C	Cylinder	1
D	Torque Blade	1
E	Power Cable	1
F	Mounting Plate	1
G	Interior Assembly	1
H	Battery Cover	1
I	Latch	1
J	Bottom Plate (Optional)	1
K	Square or Radius Faceplate (Optional)	1
L	Drive-in Collar (Optional)	1
M	Drive-in Collar (Optional)	1
N	Strike Plate	1
AA	2-1/16" (52 mm) Mounting Bolt	2
BB	1-1/4" (31.7 mm) Screw [Hole sizes Ø 2-1/8" (54 mm)]	1
CC	3/4" (19 mm) Screw	4
DD	3/4" (19 mm) Wood Screw	1
DD-1	1-1/4" (31.7 mm) Wood Screw	2
EE	3" (76 mm) Wood Screw	2